

Features

- Range of backsets available
- Faceplate finish SAA
- Stainless steel laminated lockbolts
- Locks accept standard 17mm Europrofile cylinders and thumbturn

Functionality

Deadlocks are available in both bar and hookbolt versions. The locks provide security deadlocking for a variety of aluminium doors including swinging and sliding applications. The hookbolt is constructed from stainless steel and is a 5 ply laminated construction, with the centre core case hardened, complete with hardened roll pin to resist hacksaw attack. All locks are designed to accept standard profile cylinders or thumbturns.

Code	Description	For use with	Finish
5222025	Narrow stile hookbolt lock to suit 17mm Europrofile cylinder - 25mm backset		N/A
5222025R	Narrow stile hookbolt lock 25mm backset RIV nut fixing		N/A
5222030	Narrow stile hookbolt lock to suit 17mm Europrofile cylinder - 30mm backset		N/A
5222030R	Narrow stile hookbolt lock 30mm backset RIV nut fixing		N/A
5222125	Narrow stile barbolt lock to suit 17mm Europrofile cylinder - 25mm backset		N/A
5222130	Narrow stile barbolt lock to suit 17mm Europrofile cylinder - 30mm backset		N/A
52FP221	Flat faceplate - bar bolt - width 25mm	221	SAA
52FP222	Flat faceplate - hook lock only - width 25mm	220	SAA
52FP225	Radius faceplate - hook lock only - width 25mm	220	SAA
52FP228	Radius faceplate with weather strip - width 25mm	220	SAA

For details of the faceplate variants available, contact the sales office for further information and product codes.

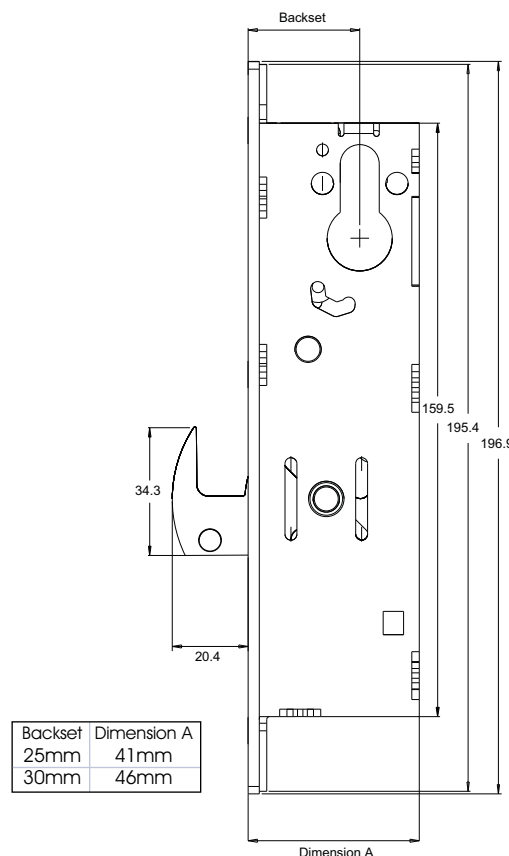
Conversion Chart

Imperial Backset	Metric Equivalent
7/8"	22.2mm
31/32"	24.6mm
1 1/8"	28.6mm
1 1/2"	38.1mm



52220 Lock Type

52FP222 Faceplate



Features

- Range of backsets available
- Locks accept standard 1⁵/₃₂" mortice key or thumbturn cylinder
- Faceplate finish SAA
- Stainless steel laminated lockbolts

Functionality

Deadlocks are available in both bar and hookbolt versions. The locks provide security deadlocking for a variety of aluminium doors including swinging and sliding applications. The hookbolt is constructed from stainless steel and is a 5 ply laminated construction, with the centre core case hardened, complete with hardened roll pin to resist hacksaw attack. All locks are designed to accept standard round mortice cylinders or thumbturns.

Code	Description	For use with	Finish
5218501	Narrow stile long throw barbolt deadlock to suit mortice cylinder 7/8" backset		N/A
5218502	Narrow stile long throw barbolt deadlock to suit mortice cylinder 31/32" backset		N/A
5218503	Narrow stile long throw barbolt deadlock to suit mortice cylinder 1 1/8" backset		N/A
5218504	Narrow stile long throw barbolt deadlock to suit mortice cylinder 1 1/2" backset		N/A
52FP1851	Flat faceplate - width 25mm	1850	SAA
52FP1852	Radius faceplate - width 25mm	1850	SAA
52FP1853	Radius faceplate with weather strip - width 25mm	1850	SAA

For details of the faceplate variants available, contact the sales office for further information and product codes.

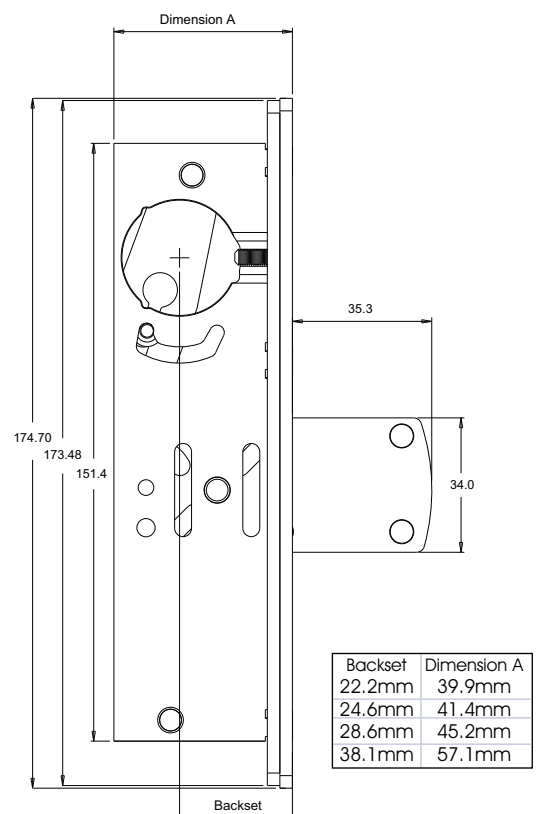
Conversion Chart

Imperial Backset	Metric Equivalent
7/8"	22.2mm
31/32"	24.6mm
1 1/8"	28.6mm
1 1/2"	38.1mm



52185 Lock Type

52FP1851 Faceplate



locks

Round Mortice Cylinder Deadlocks



Features

- Range of backsets available
- Locks accept standard 1⁵/₃₂" mortice key or thumbturn cylinder
- Faceplate finish SAA
- Stainless steel laminated lockbolts

Functionality

Deadlocks are available in both bar and hookbolt versions. The locks provide security deadlocking for a variety of aluminium doors including swinging and sliding applications. The hookbolt is constructed from stainless steel and is a 5 ply laminated construction, with the centre core case hardened, complete with hardened roll pin to resist hacksaw attack. All locks are designed to accept standard round mortice cylinders or thumbturns.

Code	Description	For use with	Finish
5218201	Narrow stile short throw barbolt deadlock to suit mortice cylinder 7/8" backset		N/A
5218202	Narrow stile short throw barbolt deadlock to suit mortice cylinder 31/32" backset		N/A
5218203	Narrow stile short throw barbolt deadlock to suit mortice cylinder 1 1/8" backset		N/A
5218204	Narrow stile short throw barbolt deadlock to suit mortice cylinder 1 1/2" backset		N/A
5218205	Narrow stile hookbolt deadlock to suit mortice cylinder 7/8" backset		N/A
5218206	Narrow stile hookbolt deadlock to suit mortice cylinder 31/32" backset		N/A
5218207	Narrow stile hookbolt deadlock to suit mortice cylinder 1 1/8" backset		N/A
5218208	Narrow stile hookbolt deadlock to suit mortice cylinder 1 1/2" backset		N/A
52FP1821	Flat faceplate - width 25mm	1820	SAA
52FP1822	Radius faceplate - width 25mm	1820	SAA
52FP1823	Radius faceplate with weather strip - width 25mm	1820	SAA

For details of the faceplate variants available, contact the sales office for further information and product codes.

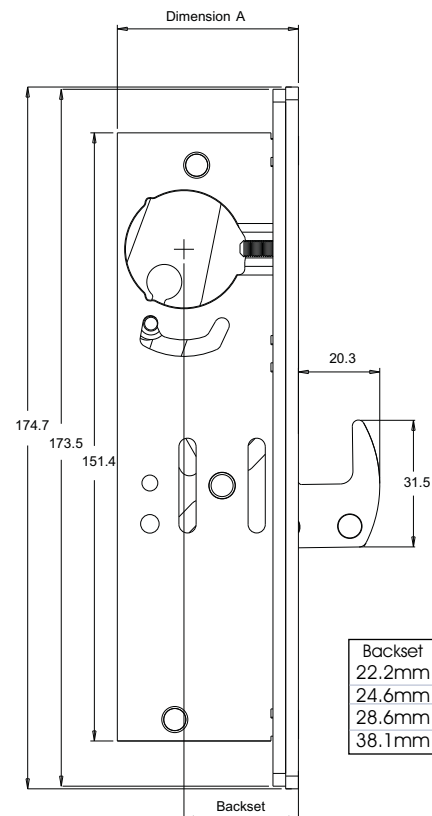
Conversion Chart

Imperial Backset	Metric Equivalent
7/8"	22.2mm
31/32"	24.6mm
1 1/8"	28.6mm
1 1/2"	38.1mm



52182 Lock Type

52FP1821 Faceplate



Backset	Dimension A
22.2mm	39.9mm
24.6mm	41.4mm
28.6mm	45.2mm
38.1mm	57.1mm