

### Features

- Range of backsets available
- Faceplate finish SAA
- Stainless steel laminated lockbolts
- Locks accept standard 17mm Europrofile cylinders and thumbturn

### Functionality

Deadlocks are available in both bar and hookbolt versions. The locks provide security deadlocking for a variety of aluminium doors including swinging and sliding applications. The hookbolt is constructed from stainless steel and is a 5 ply laminated construction, with the centre core case hardened, complete with hardened roll pin to resist hacksaw attack. All locks are designed to accept standard profile cylinders or thumbturns.

| Code            | Description   | For use with | Finish |
|-----------------|---|--------------|--------|
| <b>5222025</b>  | Narrow stile hookbolt lock to suit 17mm Europrofile cylinder - 25mm backset |              | N/A    |
| <b>5222025R</b> | Narrow stile hookbolt lock 25mm backset RIV nut fixing                      |              | N/A    |
| <b>5222030</b>  | Narrow stile hookbolt lock to suit 17mm Europrofile cylinder - 30mm backset |              | N/A    |
| <b>5222030R</b> | Narrow stile hookbolt lock 30mm backset RIV nut fixing                      |              | N/A    |
| <b>5222125</b>  | Narrow stile barbolt lock to suit 17mm Europrofile cylinder - 25mm backset  |              | N/A    |
| <b>5222130</b>  | Narrow stile barbolt lock to suit 17mm Europrofile cylinder - 30mm backset  |              | N/A    |
| <b>52FP221</b>  | Flat faceplate - bar bolt - width 25mm                                      | 221          | SAA    |
| <b>52FP222</b>  | Flat faceplate - hook lock only - width 25mm                                | 220          | SAA    |
| <b>52FP225</b>  | Radius faceplate - hook lock only - width 25mm                              | 220          | SAA    |
| <b>52FP228</b>  | Radius faceplate with weather strip - width 25mm                            | 220          | SAA    |

For details of the faceplate variants available, contact the sales office for further information and product codes.

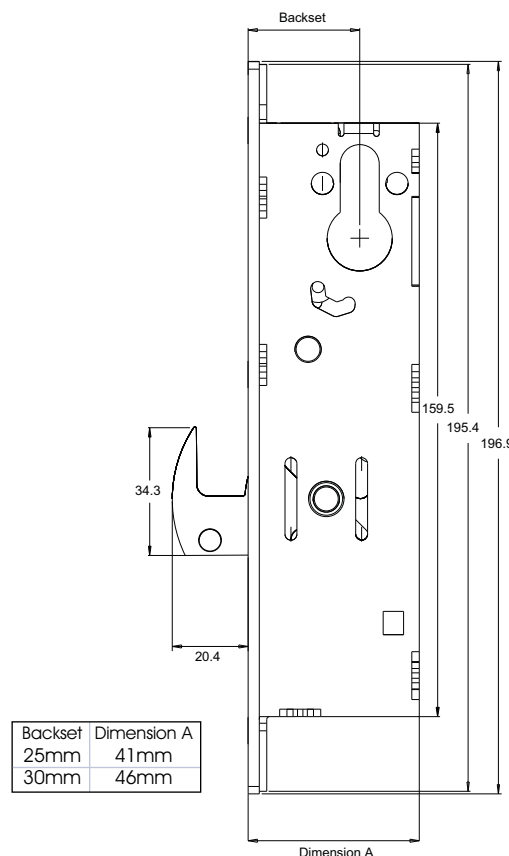
### Conversion Chart

| Imperial Backset | Metric Equivalent |
|------------------|-------------------|
| 7/8"             | 22.2mm            |
| 31/32"           | 24.6mm            |
| 1 1/8"           | 28.6mm            |
| 1 1/2"           | 38.1mm            |



**52220 Lock Type**

**52FP222 Faceplate**



### Features

- Range of backsets available
- Locks accept standard 1<sup>5</sup>/<sub>32</sub>" mortice key or thumbturn cylinder
- Faceplate finish SAA
- Stainless steel laminated lockbolts

### Functionality

Deadlocks are available in both bar and hookbolt versions. The locks provide security deadlocking for a variety of aluminium doors including swinging and sliding applications. The hookbolt is constructed from stainless steel and is a 5 ply laminated construction, with the centre core case hardened, complete with hardened roll pin to resist hacksaw attack. All locks are designed to accept standard round mortice cylinders or thumbturns.

| Code            | Description  | For use with | Finish |
|-----------------|--|--------------|--------|
| <b>5218501</b>  | Narrow stile long throw barbolt deadlock to suit mortice cylinder 7/8" backset   |              | N/A    |
| <b>5218502</b>  | Narrow stile long throw barbolt deadlock to suit mortice cylinder 31/32" backset |              | N/A    |
| <b>5218503</b>  | Narrow stile long throw barbolt deadlock to suit mortice cylinder 1 1/8" backset |              | N/A    |
| <b>5218504</b>  | Narrow stile long throw barbolt deadlock to suit mortice cylinder 1 1/2" backset |              | N/A    |
| <b>52FP1851</b> | Flat faceplate - width 25mm  | 1850         | SAA    |
| <b>52FP1852</b> | Radius faceplate - width 25mm  | 1850         | SAA    |
| <b>52FP1853</b> | Radius faceplate with weather strip - width 25mm                                 | 1850         | SAA    |

For details of the faceplate variants available, contact the sales office for further information and product codes.

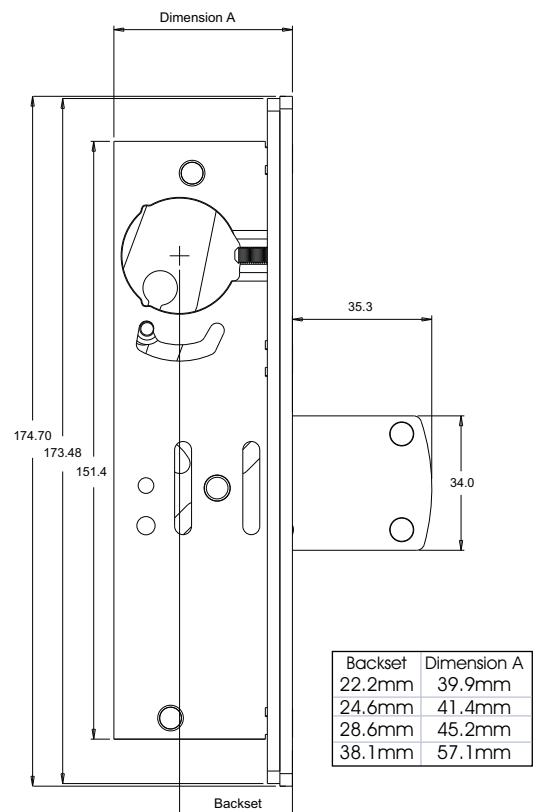
### Conversion Chart

| Imperial Backset | Metric Equivalent |
|------------------|-------------------|
| 7/8"             | 22.2mm            |
| 31/32"           | 24.6mm            |
| 1 1/8"           | 28.6mm            |
| 1 1/2"           | 38.1mm            |



**52185 Lock Type**

**52FP1851 Faceplate**



### Features

- Range of backsets available
- Locks accept standard 1<sup>5</sup>/<sub>32</sub>" mortice key or thumbturn cylinder
- Faceplate finish SAA
- Stainless steel laminated lockbolts

### Functionality

Deadlocks are available in both bar and hookbolt versions. The locks provide security deadlocking for a variety of aluminium doors including swinging and sliding applications. The hookbolt is constructed from stainless steel and is a 5 ply laminated construction, with the centre core case hardened, complete with hardened roll pin to resist hacksaw attack. All locks are designed to accept standard round mortice cylinders or thumbturns.

| Code            | Description   | For use with | Finish |
|-----------------|---|--------------|--------|
| <b>5218201</b>  | Narrow stile short throw barbolt deadlock to suit mortice cylinder 7/8" backset   |              | N/A    |
| <b>5218202</b>  | Narrow stile short throw barbolt deadlock to suit mortice cylinder 31/32" backset |              | N/A    |
| <b>5218203</b>  | Narrow stile short throw barbolt deadlock to suit mortice cylinder 1 1/8" backset |              | N/A    |
| <b>5218204</b>  | Narrow stile short throw barbolt deadlock to suit mortice cylinder 1 1/2" backset |              | N/A    |
| <b>5218205</b>  | Narrow stile hookbolt deadlock to suit mortice cylinder 7/8" backset              |              | N/A    |
| <b>5218206</b>  | Narrow stile hookbolt deadlock to suit mortice cylinder 31/32" backset            |              | N/A    |
| <b>5218207</b>  | Narrow stile hookbolt deadlock to suit mortice cylinder 1 1/8" backset            |              | N/A    |
| <b>5218208</b>  | Narrow stile hookbolt deadlock to suit mortice cylinder 1 1/2" backset            |              | N/A    |
| <b>52FP1821</b> | Flat faceplate - width 25mm   | 1820         | SAA    |
| <b>52FP1822</b> | Radius faceplate - width 25mm   | 1820         | SAA    |
| <b>52FP1823</b> | Radius faceplate with weather strip - width 25mm                                  | 1820         | SAA    |

For details of the faceplate variants available, contact the sales office for further information and product codes.

### Conversion Chart

| Imperial Backset | Metric Equivalent |
|------------------|-------------------|
| 7/8"             | 22.2mm            |
| 31/32"           | 24.6mm            |
| 1 1/8"           | 28.6mm            |
| 1 1/2"           | 38.1mm            |

